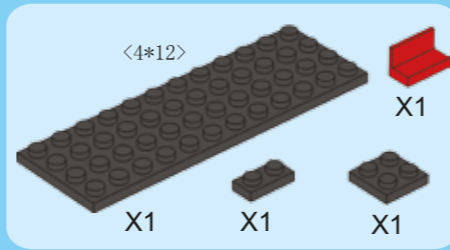


CITY

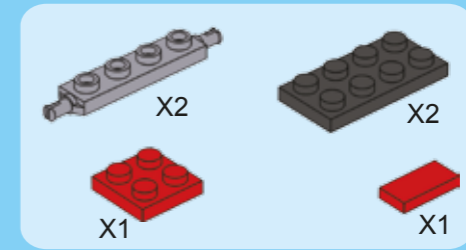
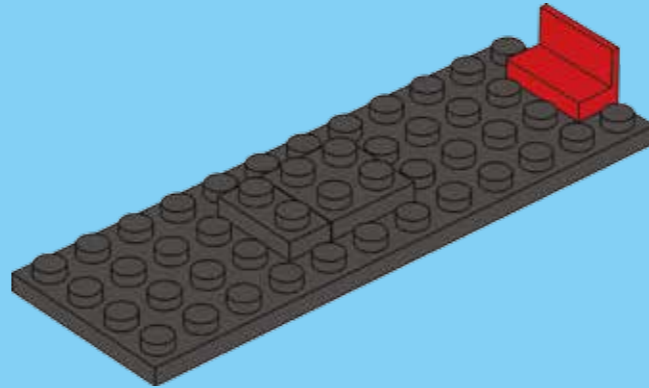
NO.25401



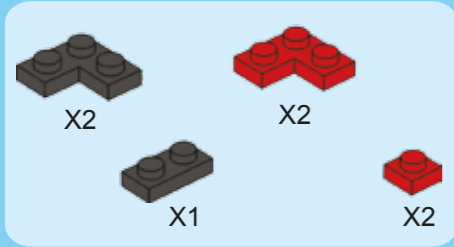
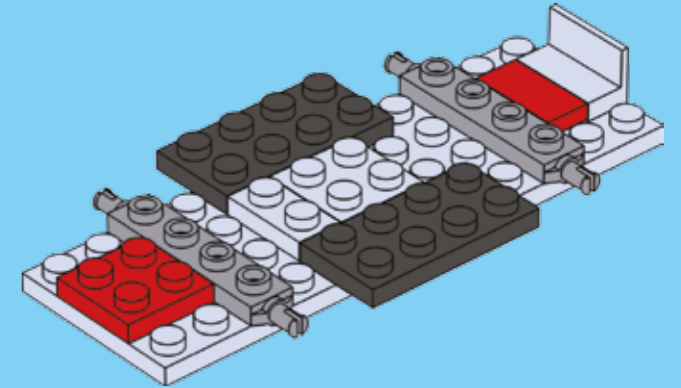
6+
AGES
CITY



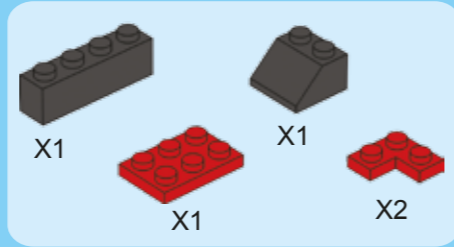
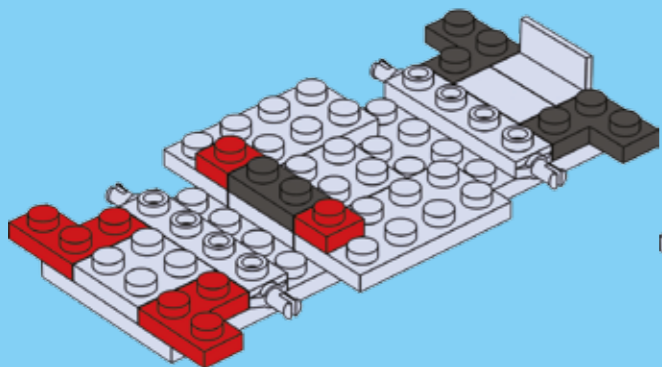
1



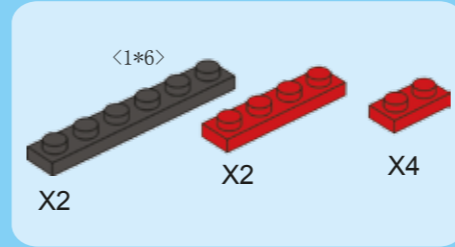
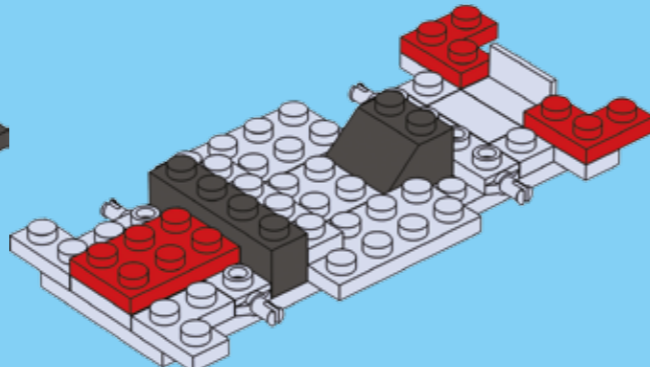
2



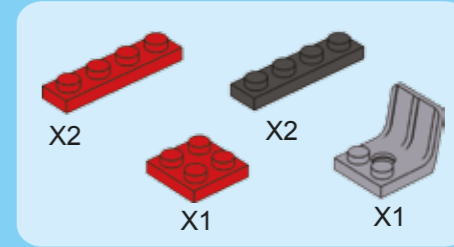
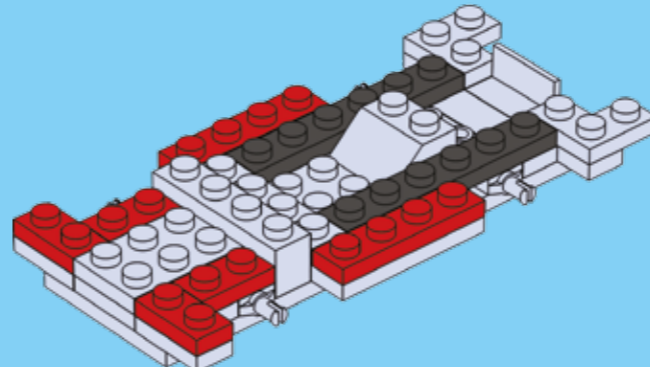
3



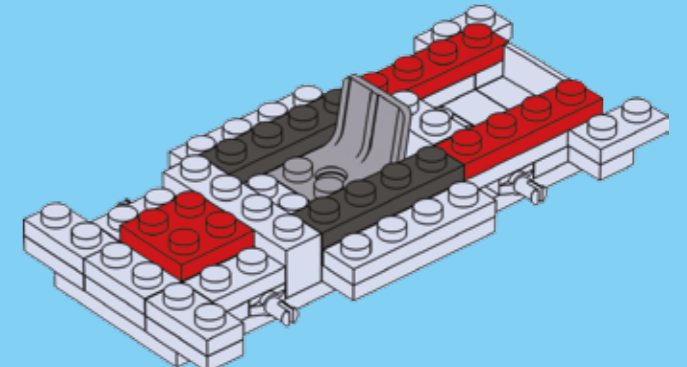
4

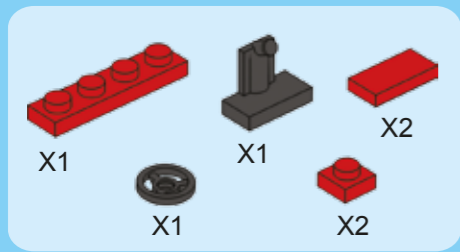


5

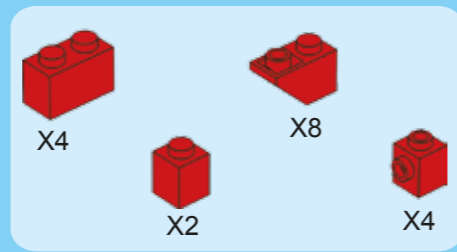
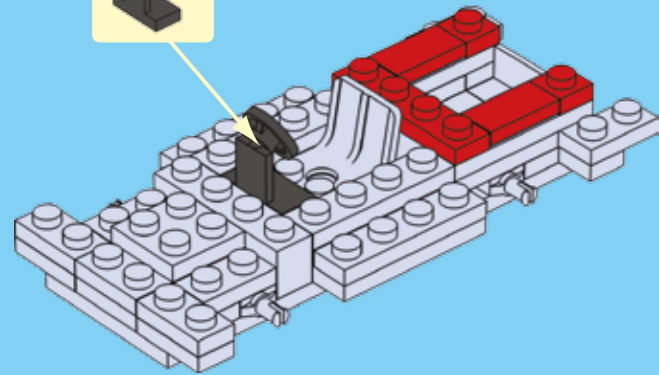


6

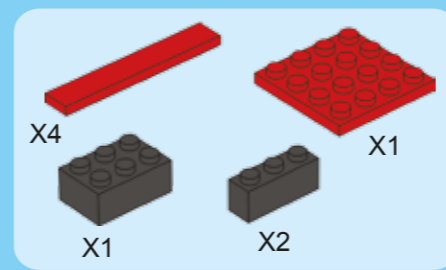
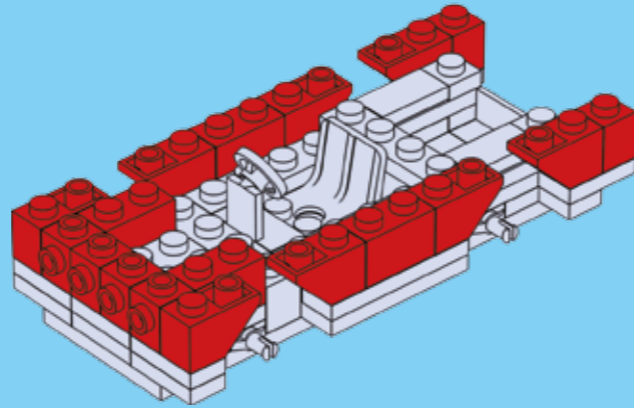




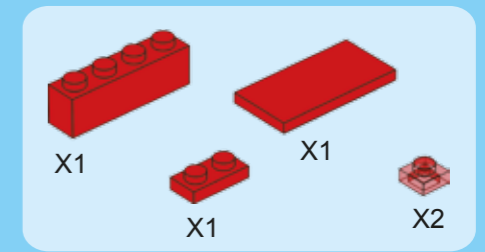
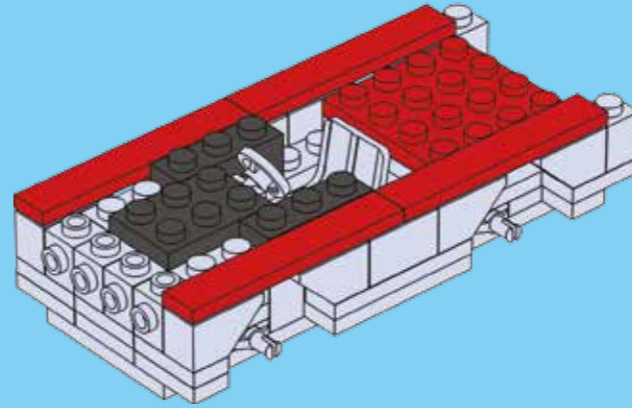
7



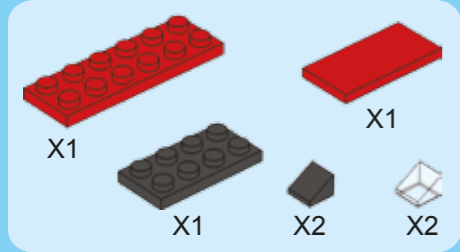
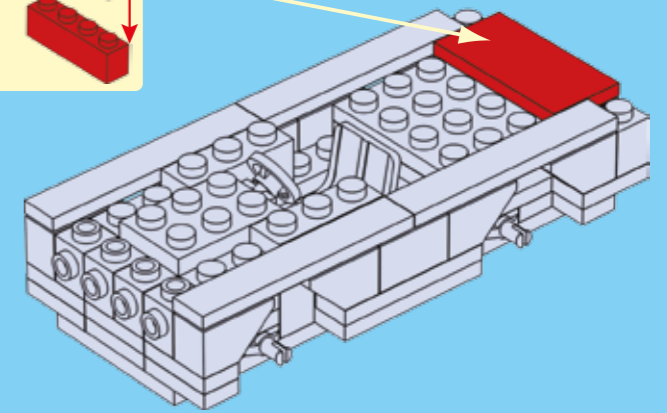
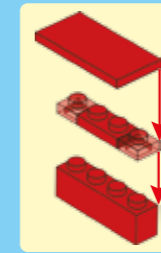
8



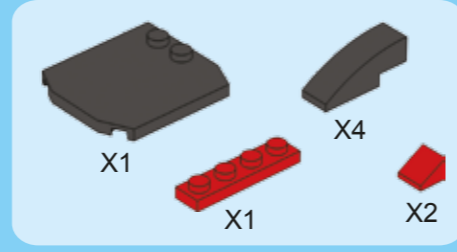
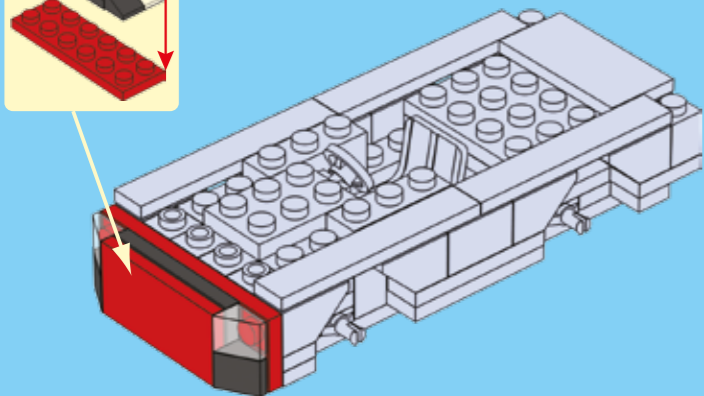
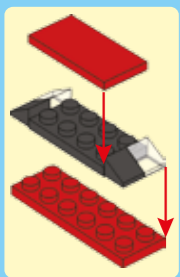
9



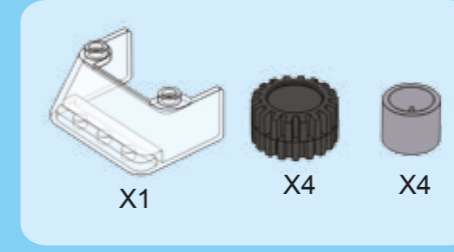
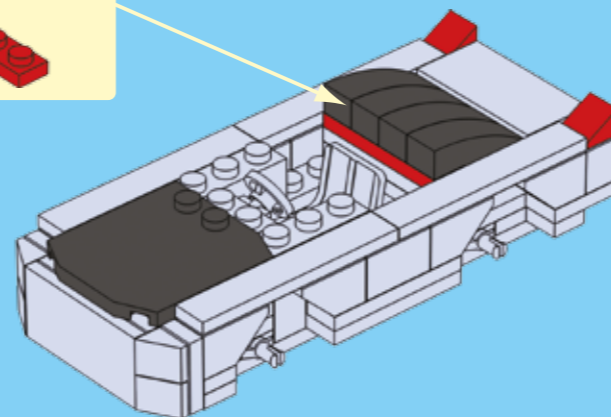
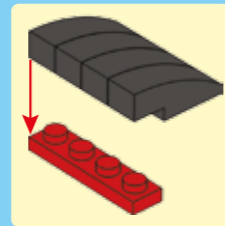
10



11



12



13

